

Location: \_\_\_\_\_

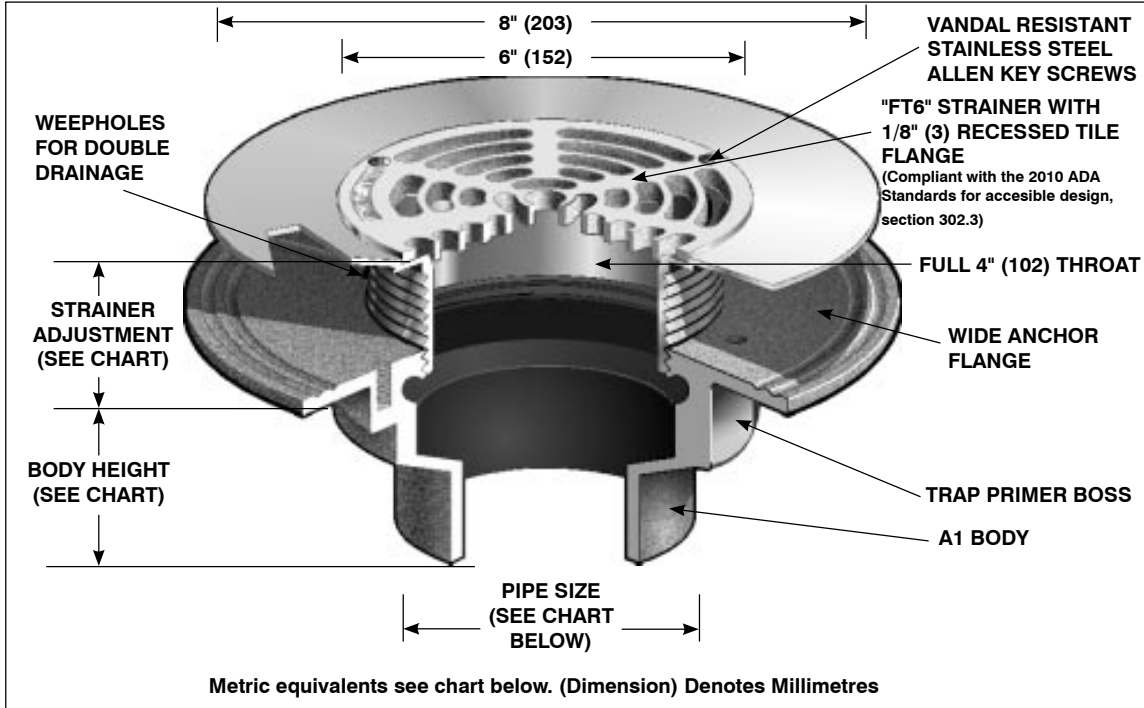


# F1100-FT

## FLOOR DRAIN WITH RECESSED FLANGE FOR NON MEMBRANE FLOOR AREAS

**Specification:** MIFAB® Series F1100-FT6-1 lacquered cast iron floor drain with anchor flange, weepholes, and standard reinforced 6" (152) diameter satin finished nickel bronze strainer with 1/8" (3) recessed tile flange, and vandal resistant, stainless steel allen key screws. (For membrane floors, use MIFAB F1100-C-FT Series.)

**Function:** Used in showers, kitchens, restrooms, and other non-membrane finished areas where an integral flange is required to receive a floor covering. Integral flange is set 1/8" below rim. Integral flange may have option of tapped holes for securing pan and gasket.



**PARTS:**



A1 BODY



FT6-(\*)  
(\* Denotes Strainer Finish (-1 or -3))

F1100-FT Series meets ANSI-ASME floor drain standard A112.6.3-2001

STRAINER DIAMETER	STRAINER ADJUSTMENT		ANSI/ASME RATING		PIPE SIZE	BODY HEIGHT				
	MIN	MAX	FREE AREA	LOAD RATING N.B. (-1)		NO HUB (STANDARD)	PUSH ON (P)	THREADED (T)	INSIDE CAULK (X)	PVC/ABS (-30)/(-31)
6" (152)	1/2" (13)	1 1/2" (38)	9 in <sup>2</sup> (5800 <sup>2</sup> )	UP TO 2,000 LBS.	2" (51)	3" (76)	3 3/8" (86)	2 1/4" (57)	3 3/4" (95)	2 15/16" (75)
					3" (76)	3" (76)	3 3/8" (86)	2 5/8" (67)	3 3/4" (95)	3 3/4" (95)
					4" (102)	3" (76)	3 3/8" (86)	2 5/8" (67)	3 3/4" (95)	3 3/4" (95)
					5" (127)	3" (76)	--	2 5/8" (67)	3 3/4" (95)	--
					6" (152)	3 1/4" (83)	6 1/2" (165)	--	--	--

- SUFFIX    OPTIONAL VARIATIONS**
- 1 Nickel bronze strainer and funnel (standard)
  - 3 Stainless steel strainer and funnel
  - 5 Sediment bucket
  - 6 Security screws (T-20 Torx & pin)
  - 7 1/2" trap seal primer connection
  - 8 Backwater valve (2", 3", 4")
  - 11 Acid resistant epoxy coated body
  - 13 Galvanized body
  - 15 Extension
  - 21 Secondary flat stainless steel strainer (2", 3", 4")
  - 28 Stainless steel body (Type 304)
  - 30 PVC socket connection body
  - 31 ABS socket connection body
  - 34 Closure plug
  - 40 Underdeck clamp
  - 41 Sump receiver

- SUFFIX    OPTIONAL VARIATIONS**
- 90 Threaded side outlet (2", 3", 4") (cast iron only)
  - 90NH No hub side outlet (2", 3", 4") (cast iron only)
  - 95 Client logo
  - BA Minimum 51% material cost made in the USA
  - C Membrane clamp for low rough-in (min. 1/2" (13))
  - C2 High rough-in membrane clamp (min. 1 9/16" (40))
  - F4 4" Round funnel
  - F6 6" Round funnel
  - (Standard) No hub outlet
  - G Oval 4" x 9" funnel
  - J 3" x 1" funnel
  - MG MI-GARD Floor Drain Trap Sealer (2", 3" or 4")
  - P Push on outlet
  - PA Pennsylvania Steel Act compliant product
  - T Threaded outlet (2", 3", 4")
  - X Inside caulk outlet
  - Z Extended wide elastomeric flange

CALIFORNIA PROPOSITION 65 WARNING. This product contains chemicals known to the State of California to cause cancer and birth defects or other reproductive harm.

Job Name: \_\_\_\_\_ Page No: \_\_\_\_\_

Section No: \_\_\_\_\_ Contractor: \_\_\_\_\_

Schedule No: \_\_\_\_\_ Purchase Order No: \_\_\_\_\_